

blum[®] SOLO Concealed Undermount Slide

Concealed Drawer Runners - 100# Class

Show off your craftsmanship!
Use high quality easy to install undermount slides.



Panel Cabinet



Frame Cabinet



Cabinet and drawer profiles

- Cream color, epoxy-coated steel, captive member on right, non-captive member on left.
- Self-closing action on all profiles.
- Positive lift-over stop for drawer removal.
- 3/4 extension
- 32mm compatible

Rollers

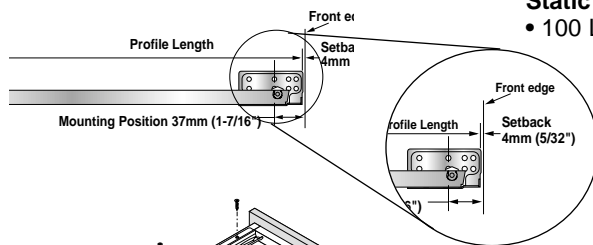
- Synthetic, self-lubricating on tempered steel rivets.

Dynamic weight capacity

- 75 lbs (including weight of drawer).

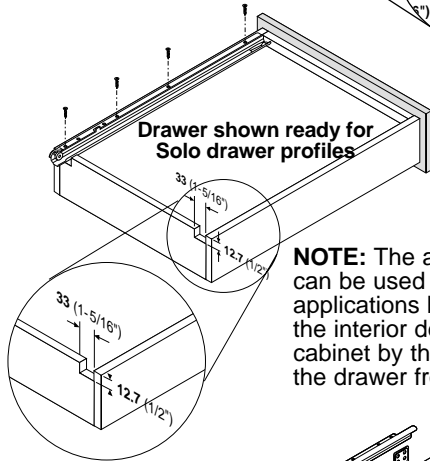
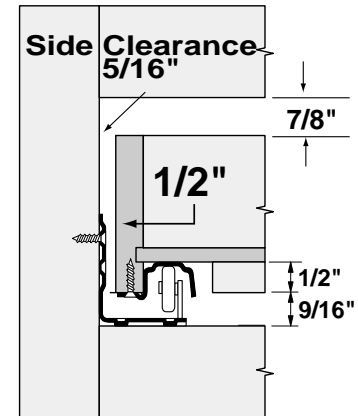
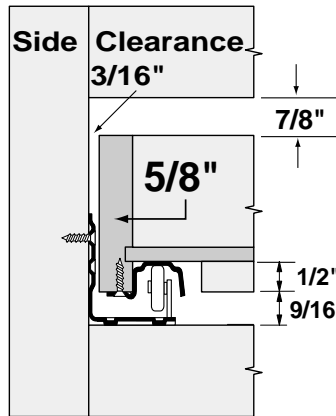
Static weight capacity

- 100 Lbs (applied to one-half extended drawer).

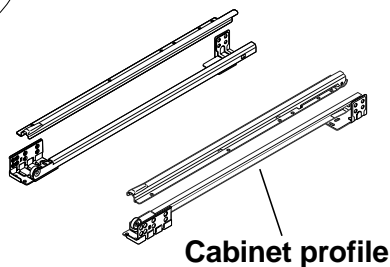


For 5/8" drawer material

For 1/2" drawer material



NOTE: The above slides can be used for inset applications by increasing the interior depth of the cabinet by the thickness of the drawer front.



Screws included

For side mount applications (Frameless)

	Min. Interior Depth	Recommended Drawer Length
B262.5330N	22 ³ / ₄ "	21"
B262.5330N.05	22"	21"
B262.4570N	19 ³ / ₄ "	18"
B262.4570N.05	19"	18"
B262.3810N	16 ³ / ₄ "	15"
B262.3050N	13 ³ / ₄ "	12"

For applications with rear mount sockets (Face-Frame)

	Interior Range For Sockets	Recommended Drawer Length
B262H 5330N	23"-23 ¹ / ₂ "	21"
B262H 5330N.05	inset	21"
B262H 4570N	20"-21 ¹ / ₂ "	18"
B262H 4570N.05	inset	18"
B262H 3810N	17"-17 ¹ / ₂ "	15"
B262H 3050N	14"-14 ¹ / ₂ "	12"
B262H 2290N	11"-11 ¹ / ₂ "	9"

